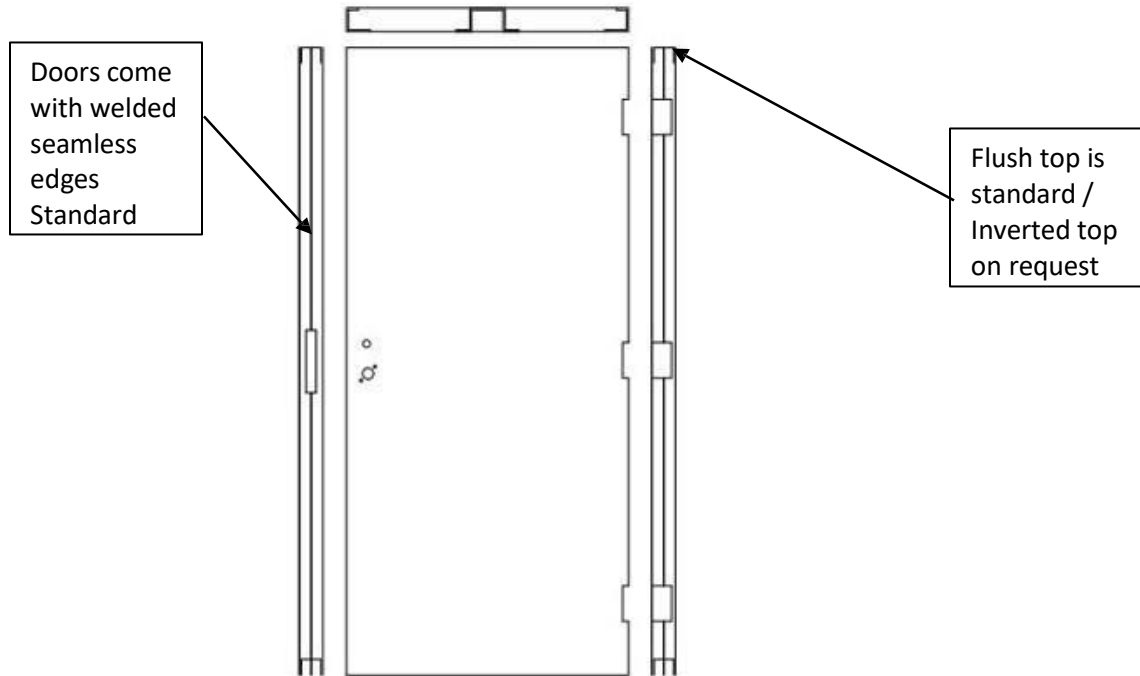


MegaDoor SS - Stainless Steel

For Maximum Security & Life-Cycle Performance. Your Choice of Door Skin Gauges & A Variety of Steel Types.



Your Choice of door skin gauges and your choice of steel types: 18ga, 16ga, 14ga, 12ga, 10ga or stainless steel
#304 #4, #316 #4, or 430-2B.

1-3/8", 1-3/4" or Custom Thickness UL Fire Rated Labels
Min. Sound Transmission (STC) ~ 31 or up to Max. STC = 56 (see model 4A details)
Max. Thermal "R" Value ~ 2.0
Max. "U" Factor ~ 0.41

Square or Beveled Edges Choices:
Welded Smooth Seamless Vertical Edges Standard, Stitch or Continuously Welded

Solid Core, Single Rib, or Multiple Ribbed, Core Constructions.



3228 6th Avenue North
P.O. Box 635, Birmingham, Al 35201
205-322-7700 Fax: 205-322-4600 www.megametUSA.com