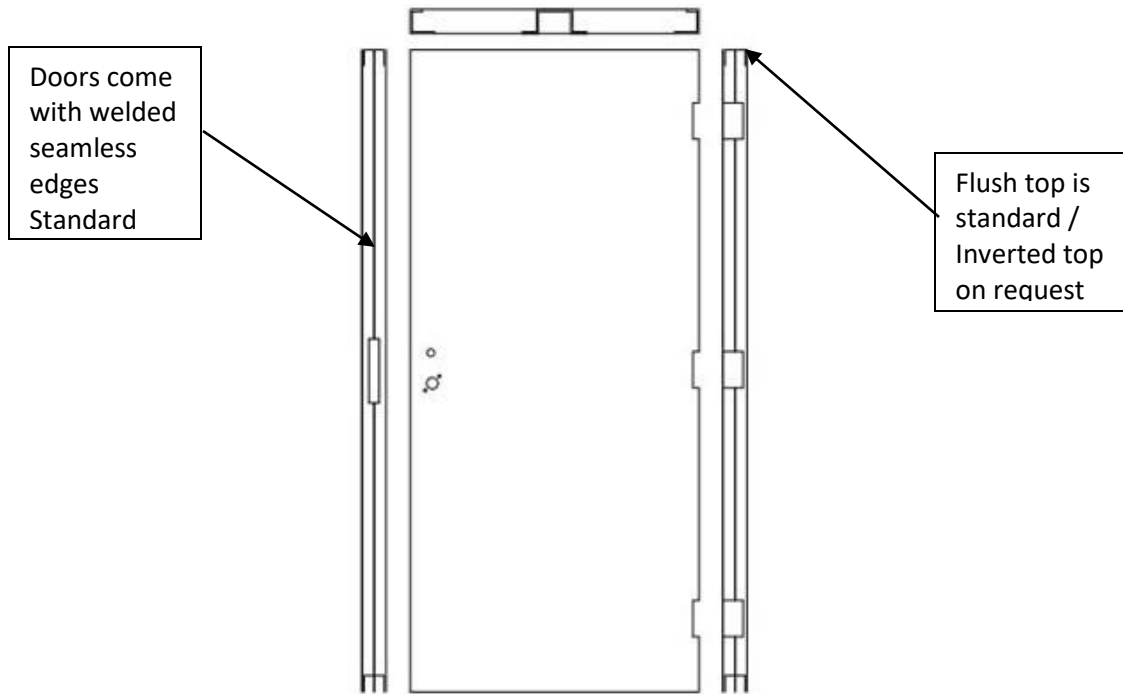


HONEY-COMB CORE



Honey-Comb Core

Your choice of door skin gauges and your choice of steel types:

18ga, 16ga, 14ga, 12ga or 10ga with CRS, A60, G90, or Stainless Steel # 304 or # 316

1-3/8", 1-3/4" or Custom Thickness, UL's Fire Rated Labels

Min. Sound Transmission (STC) ~ 31

Max. Thermal "R" Value ~ 2.0

Max. "U" Factor ~ 0.41

Square or Beveled Edges choices:

Welded Smooth Seamless Vertical Edges Standard, Stitch or Continuously Welded

Solid Core, Single Rib, or Multiple Ribbed, Core Constructions



3228 6th Avenue North

P.O. Box 635, Birmingham, AL 35201

205-322-7700 Fax: 205-322-4600 www.megametUSA.com