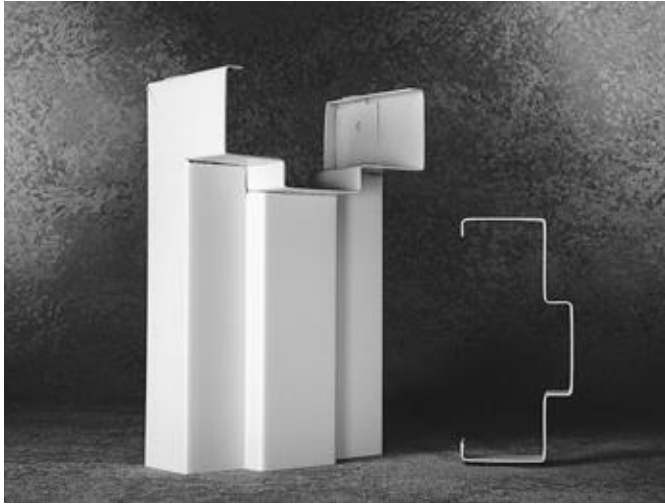


MegaFrame

M-Series Hollow Metal Frames



ABOUT THE PRODUCT:

MegaMet's M-series frames are designed for installation prior to walls in new masonry construction, wood stud, or steel stud walls. This highly adaptable design may also be installed in existing masonry, concrete, or steel framed walls.

INSTALLATION:

1. Installation shall conform to the published MegaMet installation instructions, ANSI A250.11-2001 (formerly SDI 105) *Recommended Erection Instructions for Steel Frames and HMMA 840*.
2. Fire Rated Assemblies must be in accordance with NFPA Pamphlet 80. The *Authority Having Jurisdiction* is the final authority in issues related to the installation and use of installed Fire Rated Doors.

FRAME APPLICATIONS

Profile	Steel Thickness	Wall Construction	Typical Wall Anchors
M-16	16 Gage [0.053" (1.3mm)] ASTM A 653/A 653M ASTM A 1008/A 1008M	Wood or Steel Stud	Welded or Lock-in Stud Anchor
		Masonry	Tee or Wire Masonry
		Existing Masonry	Bolted Through Soffit
M-14	14 Gage [0.067" (1.7mm)] ASTM A 653/A 653M ASTM A 1008/A 1008M	Wood or Steel Stud	Welded or Lock-in Stud Anchor
		Masonry	Tee or Wire Masonry
		Existing Masonry	Bolted Through Soffit
M-12	12 Gage [0.093" (2.3mm)] ASTM A 653/A 653M ASTM A 1008/A 1008M	Wood or Steel Stud	Welded or Lock-in Stud Anchor
		Masonry	Tee or Wire Masonry
		Existing Masonry	Bolted Through Soffit

FEATURES AND BENEFITS:

MegaMet's M-series Frames offer the following unique features, which enhance long term functionality and durability:

1. **Die-mitered corner connections** the face corners are fully welded or knocked down for easy field assembly. Like all other series, frames are die-mitered by computerized turrets. M-series jambs are equipped with alignment tabs, and the heads have tight mating slots for strong corners and accurate opening dimensions.
2. **All mortise hardware preparations** shall be precision pierced, reinforced, drilled, and tapped in accordance with HMMA-861 and definitions in ANSI A250.6 to manufacturer's templates.
3. **Factory prepared** for field installed silencers.
4. **Factory applied baked-on rust inhibiting primer** in accordance with ANSI A250.10-1998 (R2004).

SPECIFICATION COMPLIANCE:

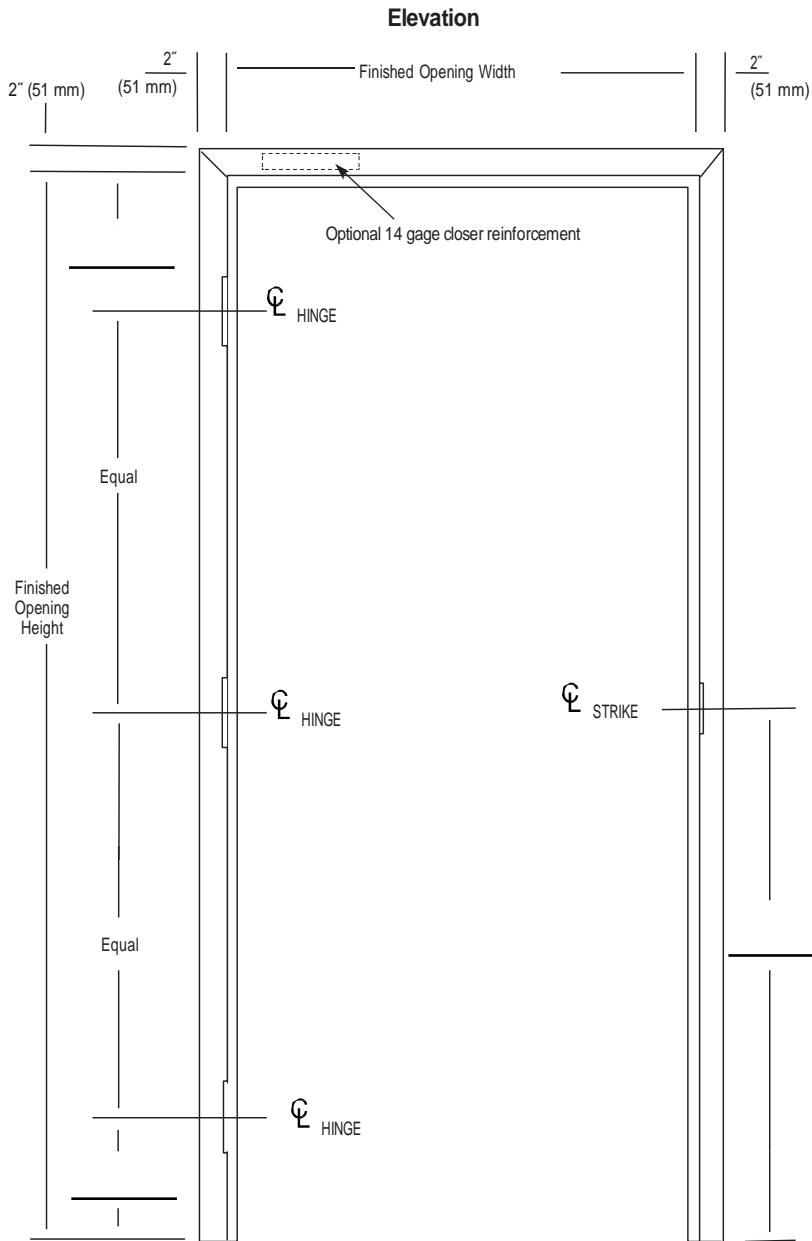
1. Overall frame construction for the MegaMet's M-series Frames meets the requirements of ANSI A250.8-2003 (commonly referred to as SDI-100).
2. Hardware preparations and reinforcements are in accordance with ANSI A250.6-2003. Locations are in accordance with ANSI/DHI A115.

FIRE RATINGS:

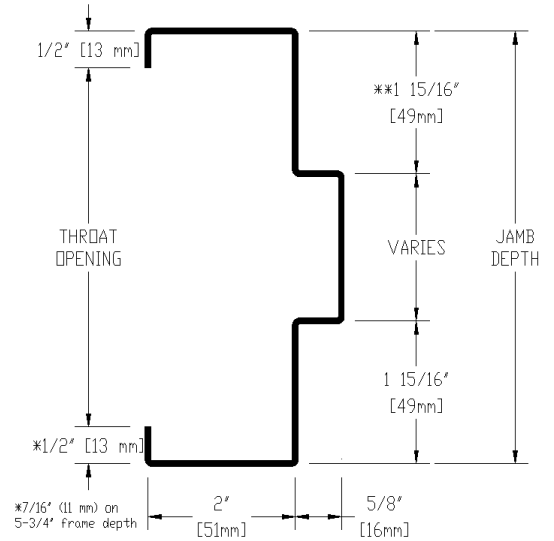
The M-series Frames meet the broadest fire rating requirements. They are listed for installations requiring compliance to both neutral pressure testing (ASTM E152 and UL 10B) and positive pressure standards (UL 10C).

APPLICATIONS:

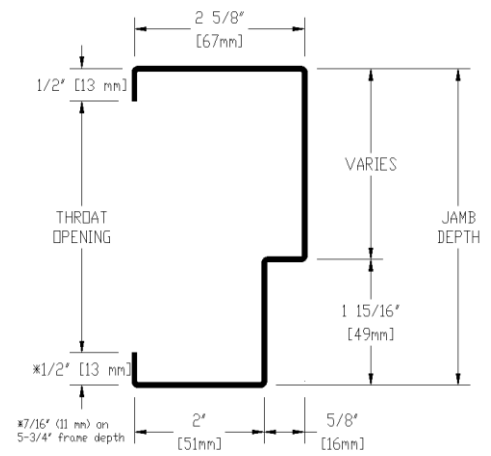
MegaMet's M-series Frames are typically installed in wall construction types as defined in the chart below:



Standard Double Rabbet Frame



Single Rabbet Frame



**1-9/16" (40 mm) for Unequal Profile

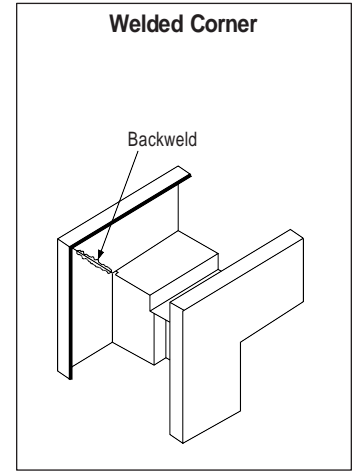
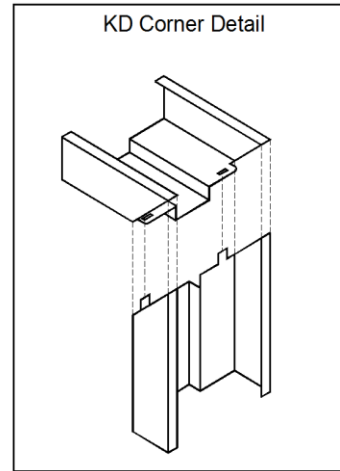
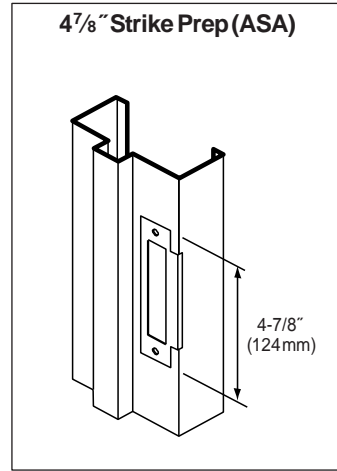
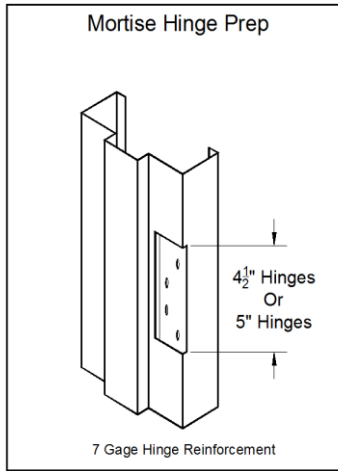
FRAME SIZING OPTIONS

SERIES	MAXIMUM OPENING SIZE		JAMB DEPTH AVAILABILITY (profile)				STANDARD PROFILE DIMENSIONS (Variations Available)			CORNERS
	Single	Pair	SINGLE RABBET		DOUBLE RABBET		FACE	STOP	RETURNS	STANDARD
			Minimum	Maximum	Minimum	Maximum				
M-16 / M-14	5'-0" x 12'-0"	10'-0" x 12'-0"	3"	20"	4-1/2"	20"	2"	5/8"	1/2"*	DIE MITERED with 4 or 6 concealed tabs interlocking head and jamb
M-12	(1524mm x 3607mm) ***	(2439mm x 3607mm) ***	(76mm)	(508mm)	(114mm)	(508mm)	(51mm)	(16mm)	(13mm)	

*except 5-3/4" (146mm) depth, which is 7/16" (11mm)

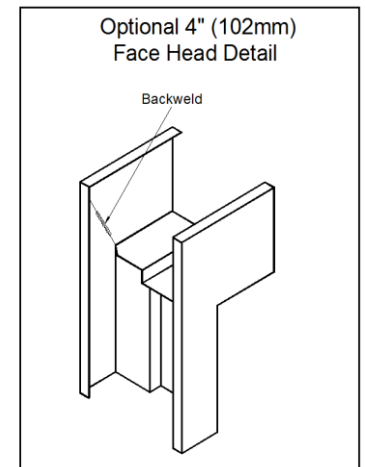
N/A - Not Available

*** CALL FACTORY FOR LARGER SIZE AVAILABILITY



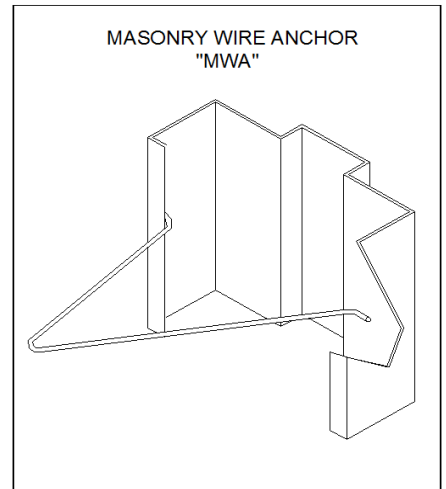
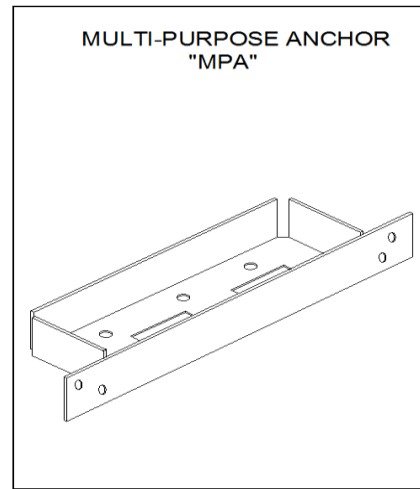
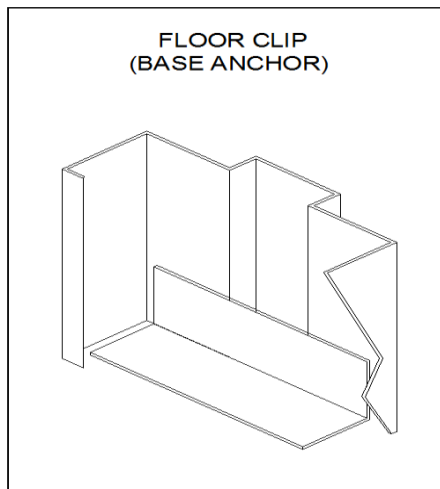
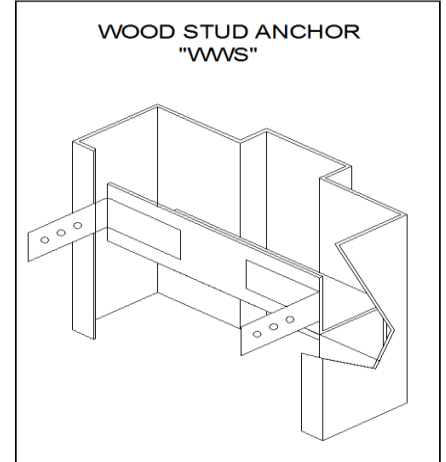
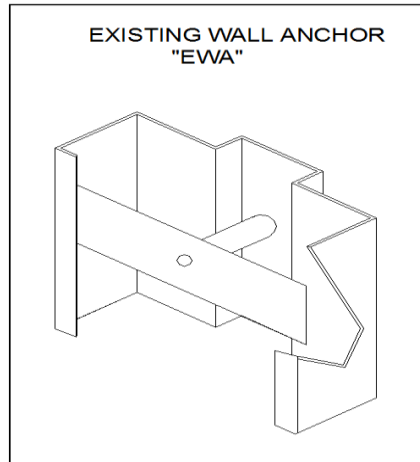
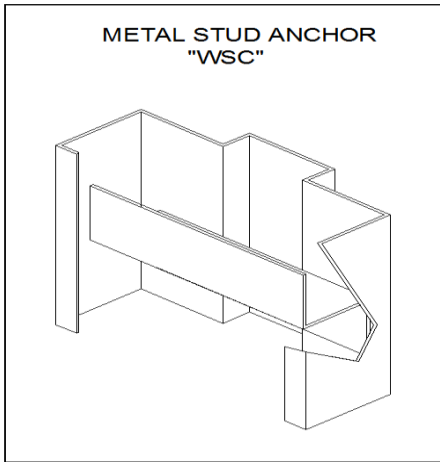
GENERAL NOTES:

1. Variety is our specialty with jamb depths available in 1/8" (3mm) increments from as small as 2-3/4", to as large as 36".
2. All MegaMet M-series frames are supplied standard with metal stud anchors and fixed base anchors. Anchors are designed for maximum wall/frame engagement and durability.
3. MegaMet M-series Frames are to be installed as part of the wall framing sequence.
4. Depending on environmental and usage conditions the steel can be either cold rolled or galvanized. Galvanized steel is recommended for all exterior applications.



FRAME OPTIONS

SERIES	FRAME PROFILE		CORNER CONNECTIONS				4" (102mm) HEADS
			"KD" (Knock-Down)		"M" (Set-Up & Weld)		
	SINGLE RABBET	DOUBLE RABBET	SINGLE RABBET	DOUBLE RABBET	SINGLE RABBET	DOUBLE RABBET	
M-16	Typically for walls less than 3-3/4" (95mm) thick. Minimum walls thickness 2" (51mm)	Typically for walls 3-3/4" (95mm) thickness or greater	3 interlocking corner tabs per factory die-miter. See the "KD Corner Detail	4 interlocking corner tabs per factory die-miter. See the "KD Corner Detail	Available when specified, and in accordance with ANSI A250.8-2003 (SDI 100).		Die-mitered for use with 2" (51mm) face double rabbet jambs. Must be specified when ordering.
M-14					Standard Die-mitered and welded, and in accordance with ANSI A250.8-2003 (SDI 100)		
M-12	Consult Factory for availability		Consult Factory for availability	Consult Factory for availability	Consult Factory for availability	Standard Die-mitered and welded, and in accordance with ANSI A250.8-2003 (SDI 100)	



FRAMING APPLICATIONS

SERIES	Steel Type	Building Type	Opening	Usage Frequency ¹	KD Corner	"Welded" Corner	Applications
M-16	Non-Galvannealed	Institutional and Commercial	Interior	Heavy to Extra Heavy Duty	Available	Available	Typical Building Conditions
	Galvannealed		Mainly Exterior				High Humidity and/or Weather Exposure
M-14	Non-Galvannealed	Institutional and Commercial	Interior	Extra Heavy to Maximum Duty	Available	Available	Typical Building Conditions
	Galvannealed		Mainly Exterior				High Humidity and/or Weather Exposure
M-12	Galvannealed	Institutional and Commercial	Interior and Exterior	Maximum Duty	Available	Available	Maximum Traffic Building Conditions High Humidity and/or Weather Exposure

Anchoring and Installation Notes:

- 1 . Megamet's M-series Frames are supplied per customer's requested anchoring system
- 2 . For anchoring & frame installation, please refer to NAAMM's HMMA 840-07 guide specifications for installation and storage of hollow metal doors & frames.
- 3 . All fire rated frames must be installed in accordance with NFPA Pamphlet 80 and the Authority Having Jurisdiction.