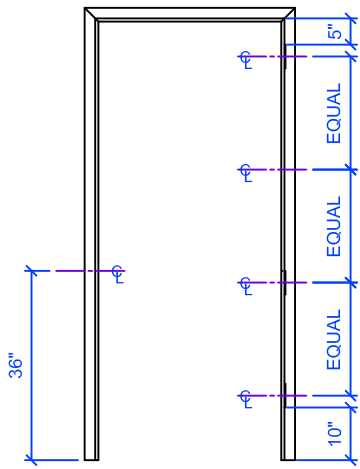


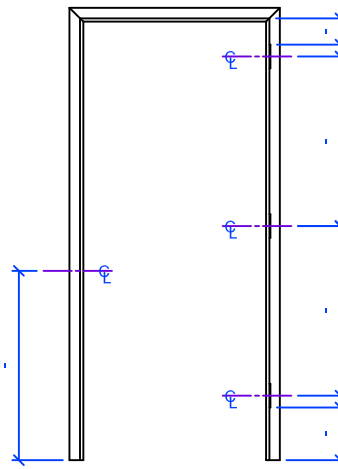
CENTER OF
KNOB OR LEVER

3 HINGES
TYPICALLY FOR
DOORS UP TO 7'-6"

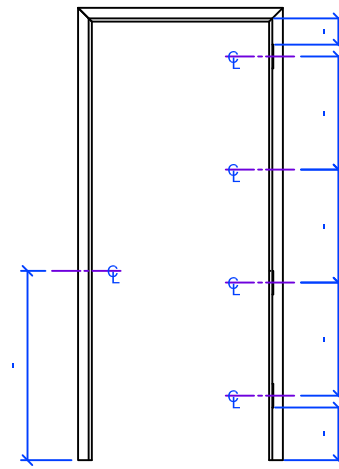


CENTER OF
KNOB OR LEVER

4 HINGES
TYPICALLY FOR
DOORS OVER 7'-6"

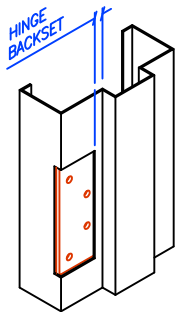


HINGES

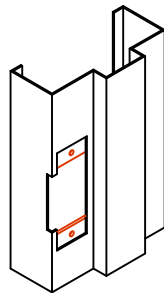


HINGES

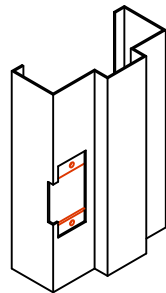
TYPICAL FRAME HARDWARE PREPS



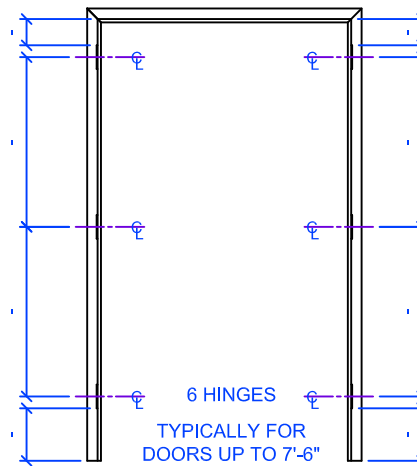
FRAME HINGE PREP



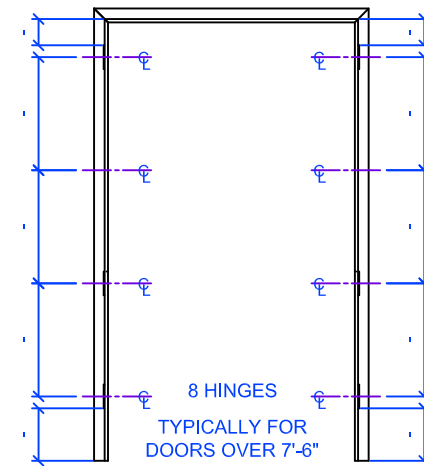
4 7/8" FRAME STRIKE
PREP



2 3/4" FRAME STRIKE
PREP



6 HINGES
TYPICALLY FOR
DOORS UP TO 7'-6"



8 HINGES
TYPICALLY FOR
DOORS OVER 7'-6"

HARDWARE LOCATIONS

TOLERANCE ON ALL DIMENSIONS FRACTIONAL $\pm \frac{3}{32}$ "
UNLESS OTHERWISE SPECIFIED DECIMAL ± 0.0937

CUSTOMER:	
ARCHITECT:	
CONTRACTOR:	

ALL INFORMATION CONTAINED IN THIS DISCLOSURE WHETHER PATENTABLE OR OTHERWISE COMPRISES PROPRIETARY INFORMATION OF MEGAMET INDUSTRIES, INC. AND ITS UNAUTHORIZED USE OR PUBLICATION WITHOUT THE EXPRESS CONSENT OF MEGAMET INDUSTRIES, INC. IS STRICTLY PROHIBITED.

Manufactured by
MEGAMET INDUSTRIES, INC.
Birmingham, Alabama

NAME	

DRAWN	DATE
R. MCLOSKEY	
CHECKED	SCALE
	NONE
APPROVED	PROJECT

04	REV.