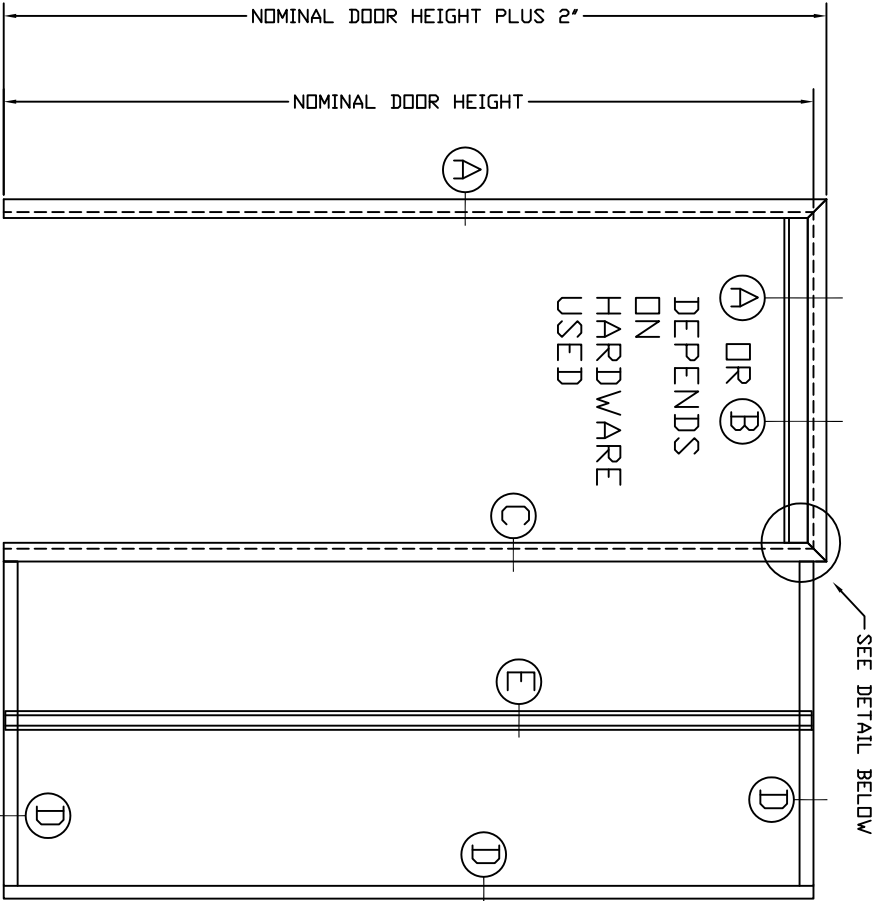
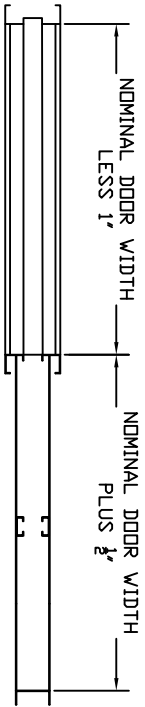




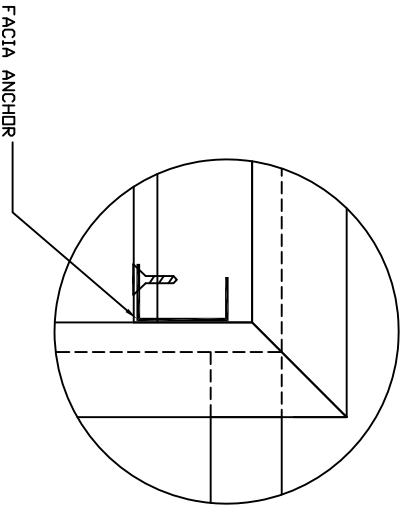
MEGAMET INDUSTRIES

3228 6th Avenue North, PO Box 635
Birmingham, AL 35222
Toll Free (888) 322-7750
Fax (205) 322-4600
Email: ewalljr@megametusa.com
<http://www.megametusa.com>



JOB NAME:	
P.D. #	
JAMB DEPTH	
WALL THICKNESS	
SHEET ROCK THICKNESS	
STUD SIDE:	

NOTES:
 FINISH DOOR OPENING WIDTH IS 1" LESS THAN A NOMINAL.
 FINISH EXTENSION OPENING WIDTH IS 1/2" MORE THAN NOMINAL.



TOLERANCE ON ALL DIMENSIONS FRACTIONAL ± .3/32"
 UNLESS OTHERWISE SPECIFIED DECIMAL ± .00937

CUSTOMER:	
ARCHITECT:	
CONTRACTOR:	

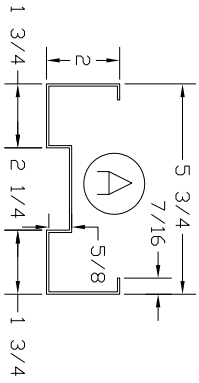
ALL INFORMATION CONTAINED IN THIS DISCLOSURE WHETHER PATENTABLE OR OTHERWISE COMPRISES PROPRIETARY INFORMATION OF MEGAMET INDUSTRIES, INC. AND ITS UNAUTHORIZED USE OR PUBLICATION WITHOUT THE EXPRESS CONSENT OF MEGAMET INDUSTRIES, INC. IS STRICTLY PROHIBITED.

Manufactured by
MEGAMET INDUSTRIES, INC.
 Birmingham, Alabama

NAME: POCKET DOOR FRAME WITH EXTENSION	DRAWN: JANDREZ	DATE: 04-02-08	SCALE: NONE	1 OF 2
APPROVED:	CHECKED:	SCALE:	PROJECT:	PJM
				REV.

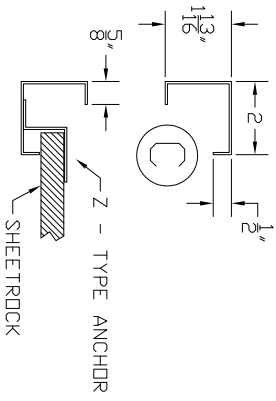
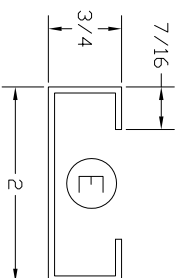
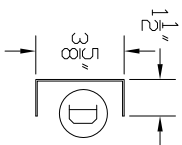
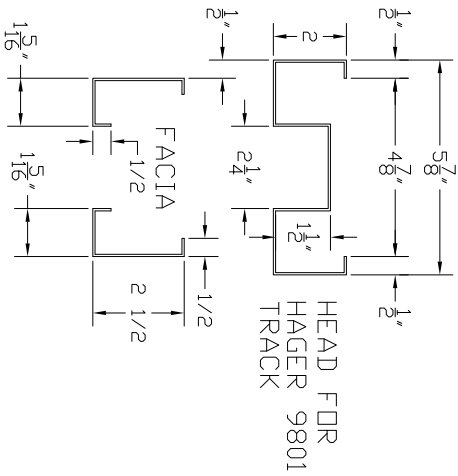
NOTES:

The Depth of the Inverted Soffit for Section "B" can be decreased from 1-1/2" to 5/8" for a "Light Duty" Track, see section "A".



(B)

PDM - FACIA



SHEETROCK ELEVATION
ON PROFILE "C"

ALL INFORMATION CONTAINED IN THIS DISCLOSURE WHETHER PATENTABLE OR OTHERWISE, COMPRISES PROPRIETARY INFORMATION OF MEGAMET INDUSTRIES, INC. AND ITS UNAUTHORIZED USE OR PUBLICATION WITHOUT THE EXPRESS CONSENT OF MEGAMET INDUSTRIES, INC. IS STRICTLY PROHIBITED.

Manufactured by
MEGAMET INDUSTRIES, INC.
Birmingham, Alabama

TOLERANCE ON ALL DIMENSIONS FRACTIONAL ± 3/32"
UNLESS OTHERWISE SPECIFIED DECIMAL ± 0.0937

NAME: POCKET DOOR FRAME WITH EXTENSION	DRAWN: JANDREZ	DATE: 04-02-08	2 OF 2
PROJECT: PROFILES	CHECKED: NONE	SCALE: NONE	
APPROVED:			PDM
PROJECT:			REV.

CUSTOMER:	
ARCHITECT:	
CONTRACTOR:	