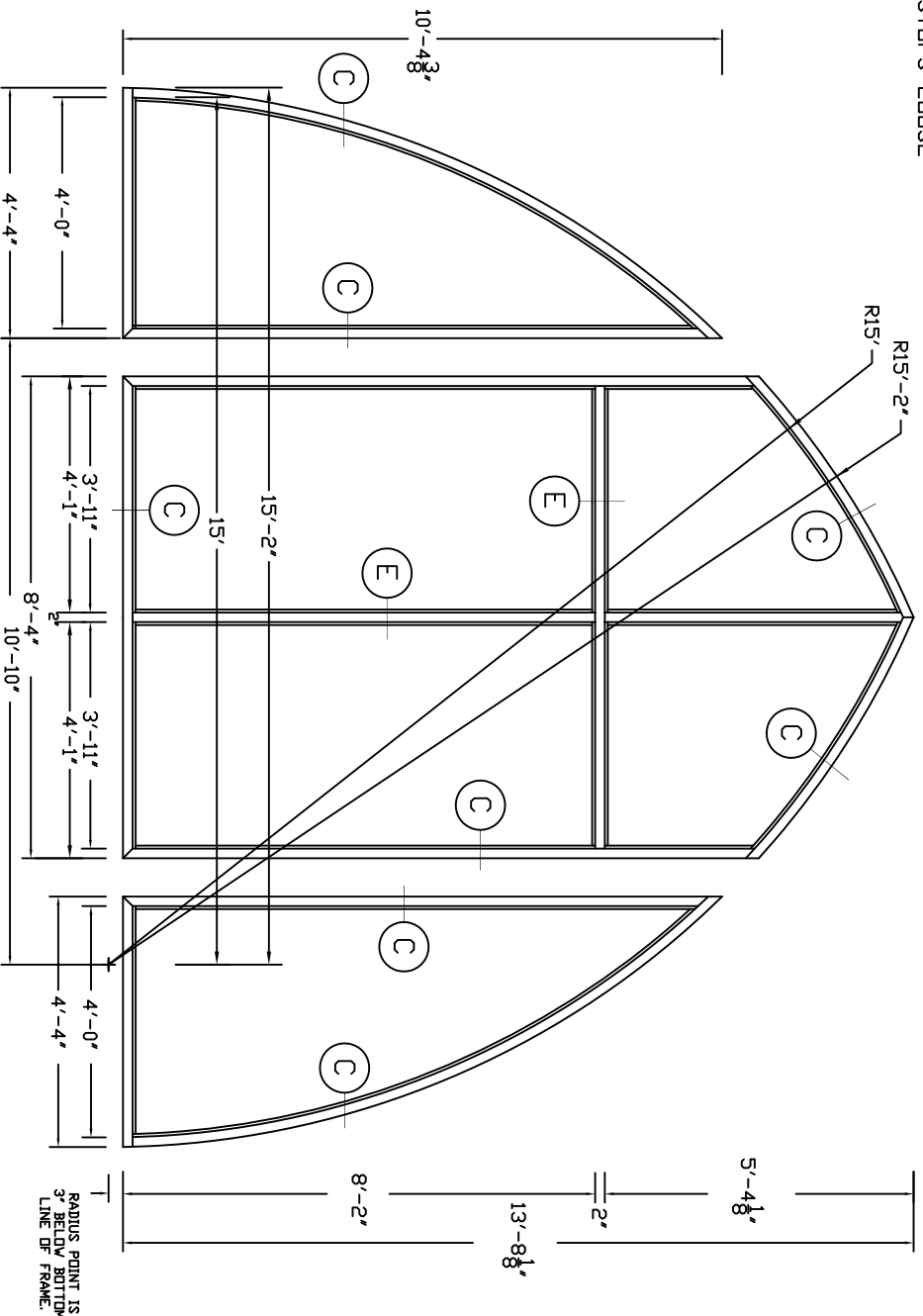


SHIP APPLIED
STOPS LOOSE



1" THICK INSULATED GLASS EXTERIOR - F8A, F8B, F9A.
GLAZING BY OTHERS, ALL FRAME PROFILES TO HAVE 2" FACE DIMENSIONS.

PER OUR TERMS AND AGREEMENT
RADIUS FRAMES HAVE TO BE
APPROVED AND SIGNED OFF BY
THE AUTHORITIES OF THIS JOB,
IE. ARCHITECT OR CONTRACTOR
OR CUSTOMER.

THE AUTHORITIES OF THIS JOB
MUST TAKE THE RESPONSIBILITY
THAT ALL DIMENSIONS LISTED ARE
CORRECT.

MEGAMET WILL PRODUCE THE FRAME
AS SUBMITTED (IF APPROVED BY
THE AUTHORITIES) IN THIS DRAWING,
AND MEGAMET WILL NOT BE HELD
RESPONSIBLE IF WE HAVE MIS-
INTERPRETED ORIGINAL DRAWING
IN ANY WAY.

X _____
APPROVING AUTHORITY

WE WILL START FABRICATION AS
SOON AS WE RECEIVE THIS SIGNED
SUBMITTAL.

TOLERANCE ON ALL DIMENSIONS FRACTIONAL ± 3/32"
UNLESS OTHERWISE SPECIFIED DECIMAL ± 0.0937

CUSTOMER:	
ARCHITECT:	
CONTRACTOR:	

ALL INFORMATION CONTAINED IN THIS DISCLOSURE WHETHER
PATENTABLE OR OTHERWISE COMPRISES PROPRIETARY
INFORMATION OF MEGAMET INDUSTRIES, INC. AND
ITS UNAUTHORIZED USE OR PUBLICATION WITHOUT THE
EXPRESS CONSENT OF MEGAMET INDUSTRIES, INC.
IS STRICTLY PROHIBITED.

Manufactured by
MEGAMET INDUSTRIES, INC.
Birmingham, Alabama

NAME:	_____
ST. XAVIER CHURCH	

DATE	9-16-2020	SCALE	
PROJECT		PROJECT	
REV.		REV.	
2379		MULLINS	

